

Low Profile Shear Force Load Cell



DESCRIPTION

The model CLC is a very low profile load cell, working according to the shear force principle (no membrane), ideally suited for applications in harsh environments.

Due to the special design, the CLC load cell is insensitive against side loading and other interfering effects.

Because of the high operating temperature range of -40 up to +125°C, the CLC load cell is suitable for use in steel mills and foundries.

Due to the high repeatability and high long-term stability, the load cell supplies very good results, even after perennial use.

Protection class IP67 gives an excellent protection against dust and moisture.

FEATURES

- Capacity 25, 50t, 100t and 200t
- Other capacities on request
- Very low profile
- High long-term stability and repeatability
- Operating temperature range -40 to +80°C (+125°C with optional Teflon Cable)
- 10m special cable. Option: Load cell with connector
- Yellow chromate steel
- Protection class IP67

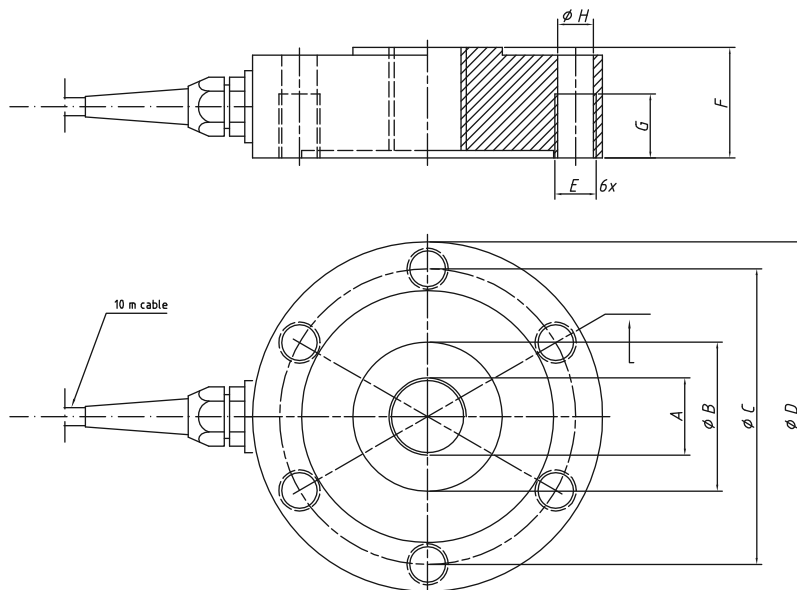
OPTIONS

- Load Cell can be customized to a large variety in dimensions and capacities
- Customised adaptor plates and other mounting assemblies on request

APPLICATIONS

- Silo and hopper weighing
- Tundish weighing
- Various applications in steel mills and foundries
- Industrial applications

OUTLINE DIMENSIONS in mm



DIM.	25t	50t	100t	200t
A	M30 x 1,5	M30 x 1,5	M40x1,5	M55x1,5
B	58	58	85	120
C	115	115	164	220
D	136	136	195	263
E	M16	M16	M20	M24
F	43	43	58	67
G	25	25	30	40
H	13,5	13,5	18,5	21

SPECIFICATIONS					
PARAMETER	VALUE				UNIT
Rated capacity (R.C.) ⁽¹⁾	25	50	100	200	t
Rated output (C)	about 1.0				mV/V
Total error	<0.1				± % of C
Temperature effect: on zero	0.005				± % of C/°C
Temperature effect: on output	0.005				± % of C/°C
Nominal temperature range	-10 to +80				°C
Operating temperature range	-40 to +80 (+125 on request)				°C
Safe overload	200				% of R.C.
Ultimate overload	>300				% of R.C.
Max. admissible side load	50				% of R.C.
Recommended excitation	10				V DC or AC
Max. supply voltage	36				V DC or AC
Input impedance	750±15				Ω
Output impedance	700±10				Ω
Insulation impedance	>2000				MΩ
Material	yellow chromate steel				
Environmental protection	IP67				